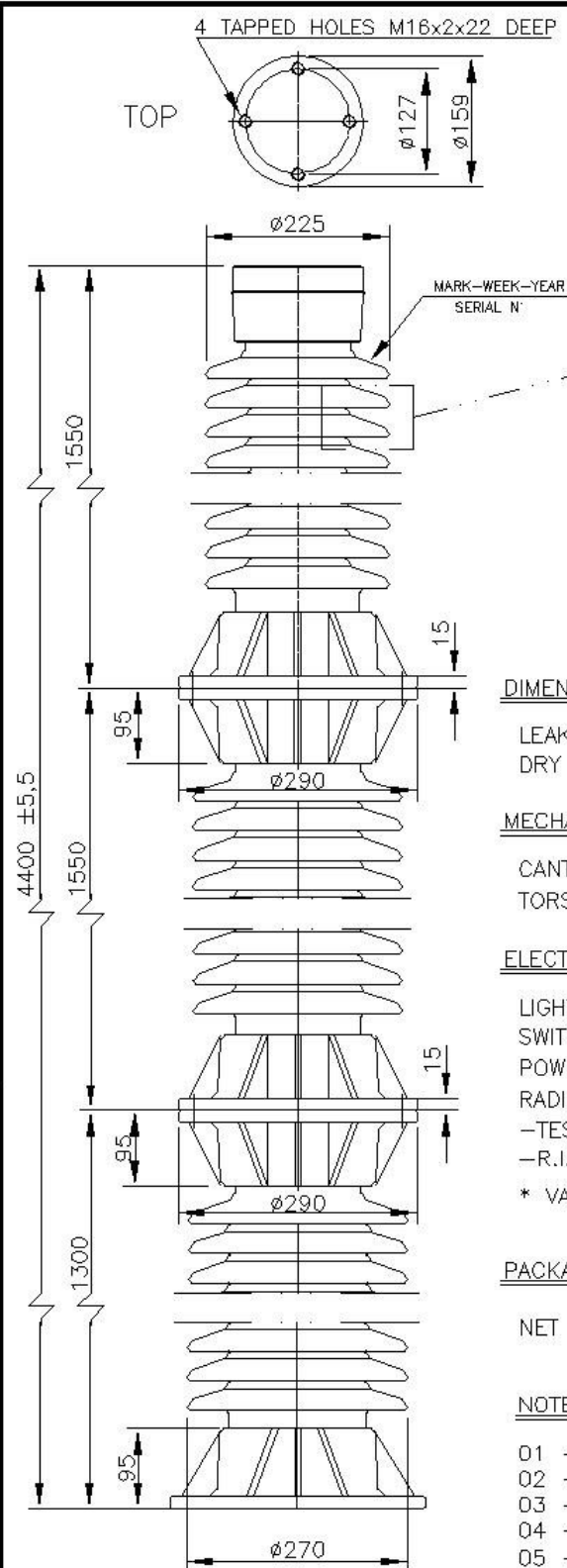


Especificaciones de los aisladores soporte existentes la subestación PT5

Descripción
Aislador de Porcelana Tipo Station Post, IEC C8-1550/1950-13750. Referencia Santana 8.0969.66 Norma IEC 168 Norma IEC 273

N.°	REVISION	DATE	AUT.



DIMENSIONS CHARACTERISTICS

LEAKAGE DISTANCE NOMINAL	mm	13750
DRY ARCING DISTANCE	mm	3950

MECHANICAL CHARACTERISTICS

CANTILEVER STRENGTH	daN	800
TORSIONAL STRENGTH	daN.m	700

ELECTRICAL CHARACTERISTICS

LIGHTNING IMPULSE WITHSTAND	kV	1550/1950
SWITCHING IMPULSE WITHSTAND WET	kV	1175/1300
POWER FREQUENCY WITHSTAND WET	kV	800
RADIO INFLUENCE VOLTAGE		
-TEST VOLTAGE 60Hz (V.N. x 1,1/V3)	kV	300 *
-R.I.V. MAX. 1000 kHz - REF. 150 Ohms	μ V	250 *

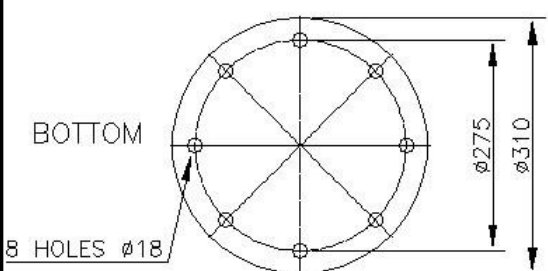
* VALUES OBTAINED WITH FIELD DISTRIBUTING RING (NOT INCLUDED)


PACKAGE CHARACTERISTICS

NET WEIGHT APROX.	kg	370
-------------------	----	-----

NOTES :

- 01 - TOLERANCES ACCORDING TO ORIGIN STANDARD
- 02 - NUMBER OF SHEDS : 104
- 03 - ALL FERROUS PARTS ARE HOT DIP GALV. PER ASTM A-153
- 04 - DIMENSIONS IN MILLIMETERS
- 05 - COLOUR: GRAY OR BROWN.



DENOMINATION : STATION POST INSULATOR SOLID CORE - 1550/1950 kV (BIL) VOLTAGE RATING 500/550 kV				IDENTIFICATION
				REFERENCE PTR-969
ORIGIN: SANTANA DESIGN (IEC 60168/273-CLASS C8-1550/1950-SPECIAL)	ELAB./DATE	VERIF./DATE	APPROV./DATE	TYPE-CAID
	LUIS 28/07/06	EVANDRO 28/07/06	ALDO 28/07/06	
COD. CAD: G:\PROJ\STATION\UNI-02\A512			REVISION	
CODE. 8.0969.66		SCALE	-	-